

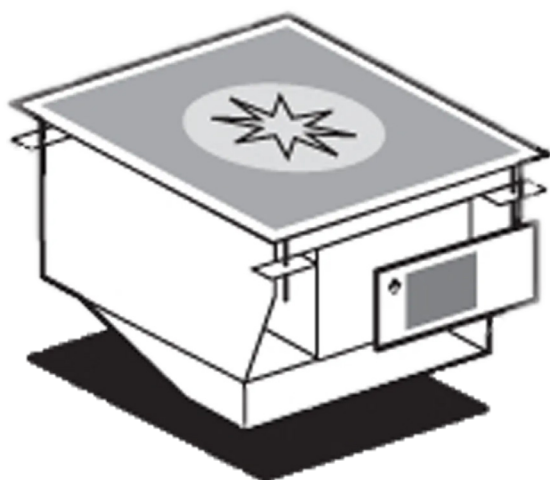
Technical data sheet

Product features



Cooking range induction digital 1 zone

Model	SAP Code	00013590
--------------	-----------------	----------



- Device type: Electric unit
- Power consumption of the zone 1 [kW]: 5

SAP Code	00013590	Power electric [kW]	5.000
Net Width [mm]	400	Loading	400 V / 3N - 50 Hz
Net Depth [mm]	400	Number of zones	1
Net Height [mm]	310	Power consumption of the zone 1 [kW]	5
Net Weight [kg]	12.00	Ceramic glass dimensions [mm x mm]	350 x 350

Technical data sheet

Technical drawing

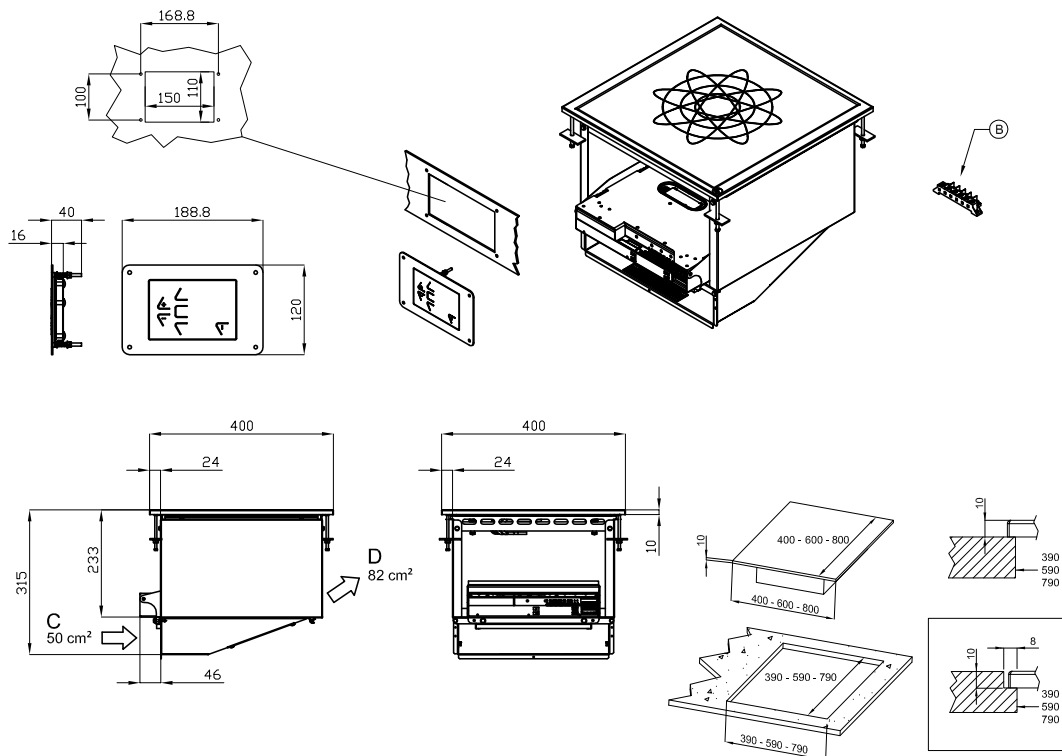


Cooking range induction digital 1 zone

Model

SAP Code

00013590



A	Data plate	B	Electrical connection
---	------------	---	-----------------------

Technical data sheet

Technical parameters



Cooking range induction digital 1 zone

Model	SAP Code	00013590
--------------	-----------------	----------

1. SAP Code:

00013590

2. Net Width [mm]:

400

3. Net Depth [mm]:

400

4. Net Height [mm]:

310

5. Net Weight [kg]:

12.00

6. Gross Width [mm]:

470

7. Gross depth [mm]:

700

8. Gross Height [mm]:

530

9. Gross Weight [kg]:

18.00

10. Device type:

Electric unit

11. Construction type of device:

Drop-in

12. Power electric [kW]:

5.000

13. Loading:

400 V / 3N - 50 Hz

14. Worktop material:

AISI 304

15. Worktop Thickness [mm]:

2.00

16. Number of zones:

1

17. Power consumption of the zone 1 [kW]:

5

18. Power control type:

digital

19. Number of burners/hot plates:

1

20. Ceramic glass dimensions [mm x mm]:

350 x 350